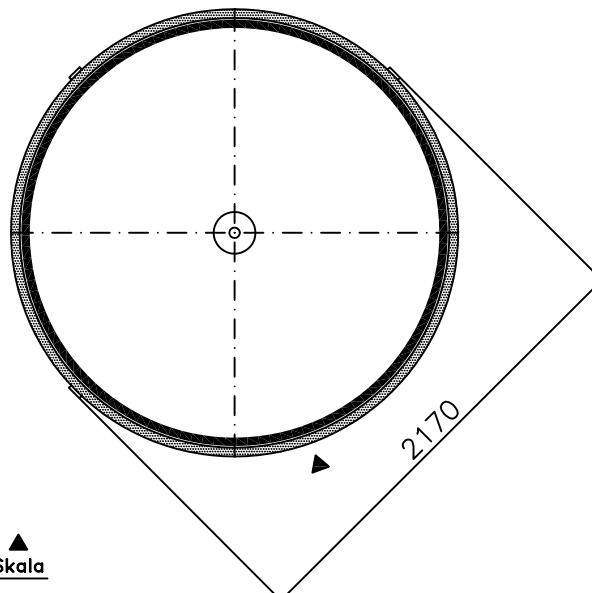
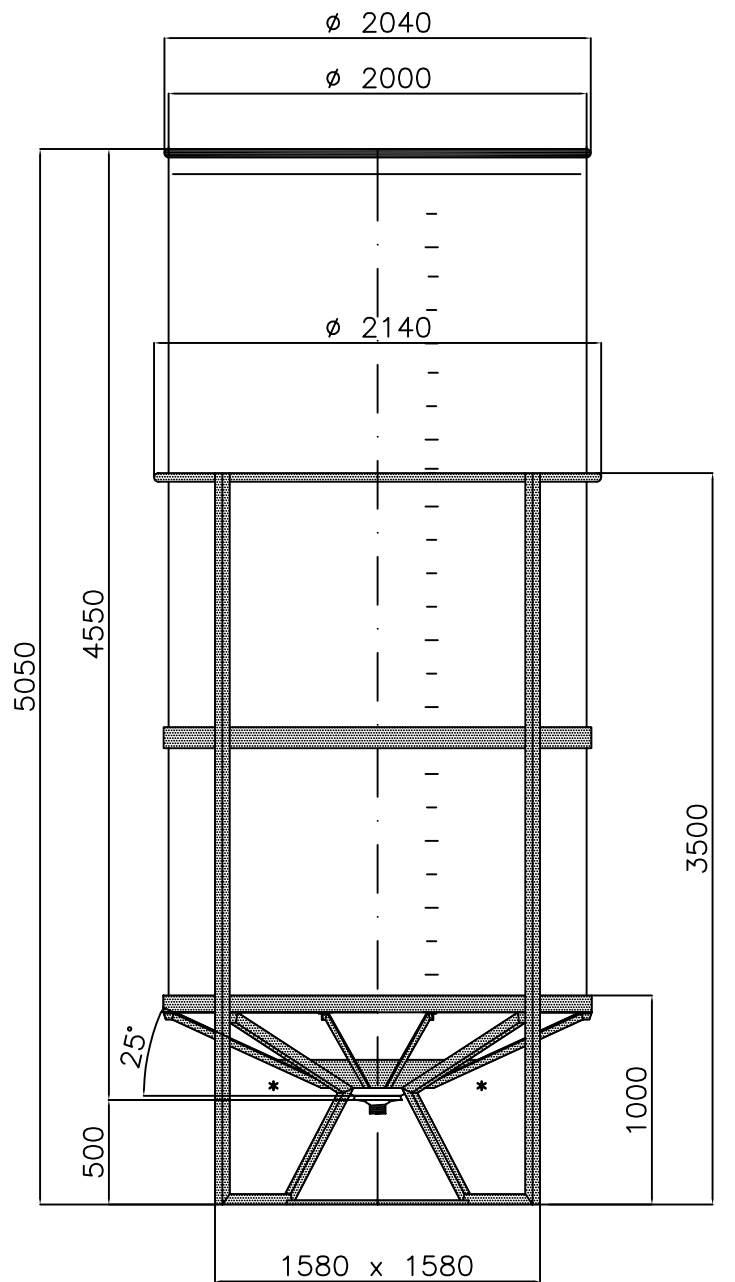


Container 12.900 Liter, Typ TCO 135/L

ARICON



▲
Skala